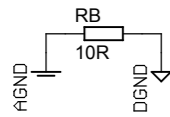
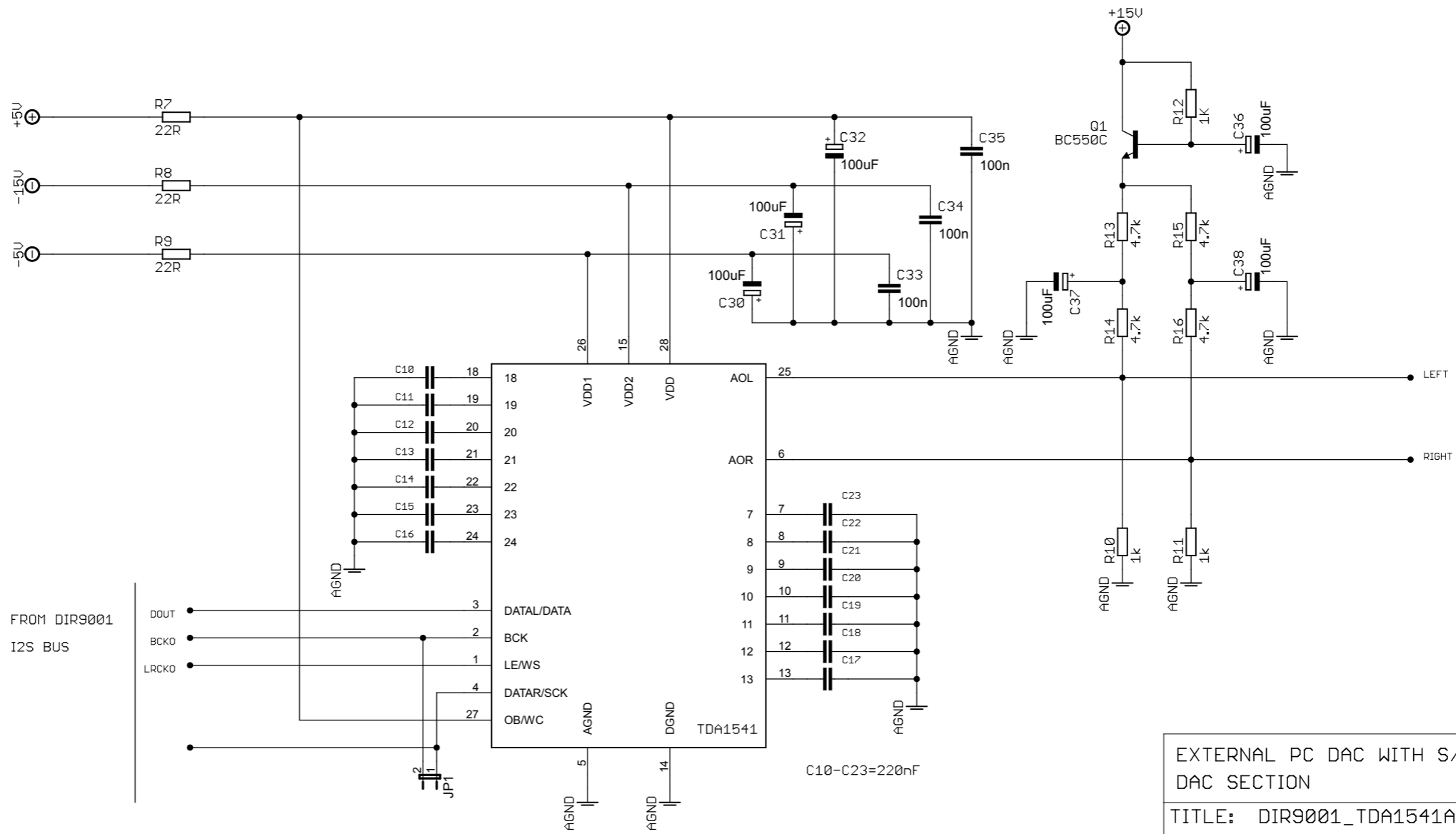
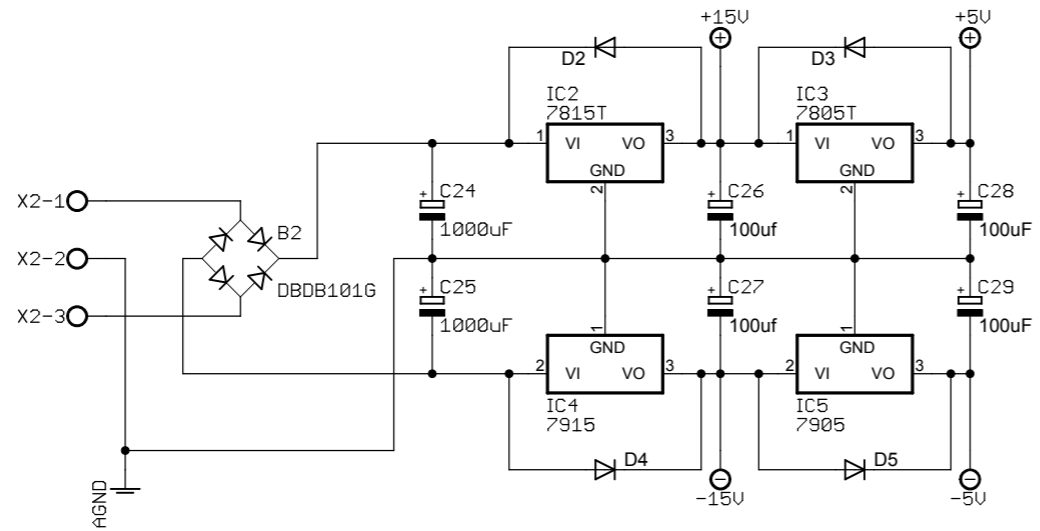
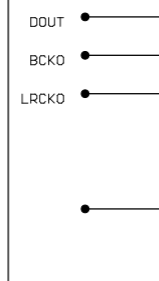


- H1 MOUNT-PAD-SQUARE3.3
- H2 MOUNT-PAD-SQUARE3.3
- H3 MOUNT-PAD-SQUARE3.3
- H4 MOUNT-PAD-SQUARE3.3

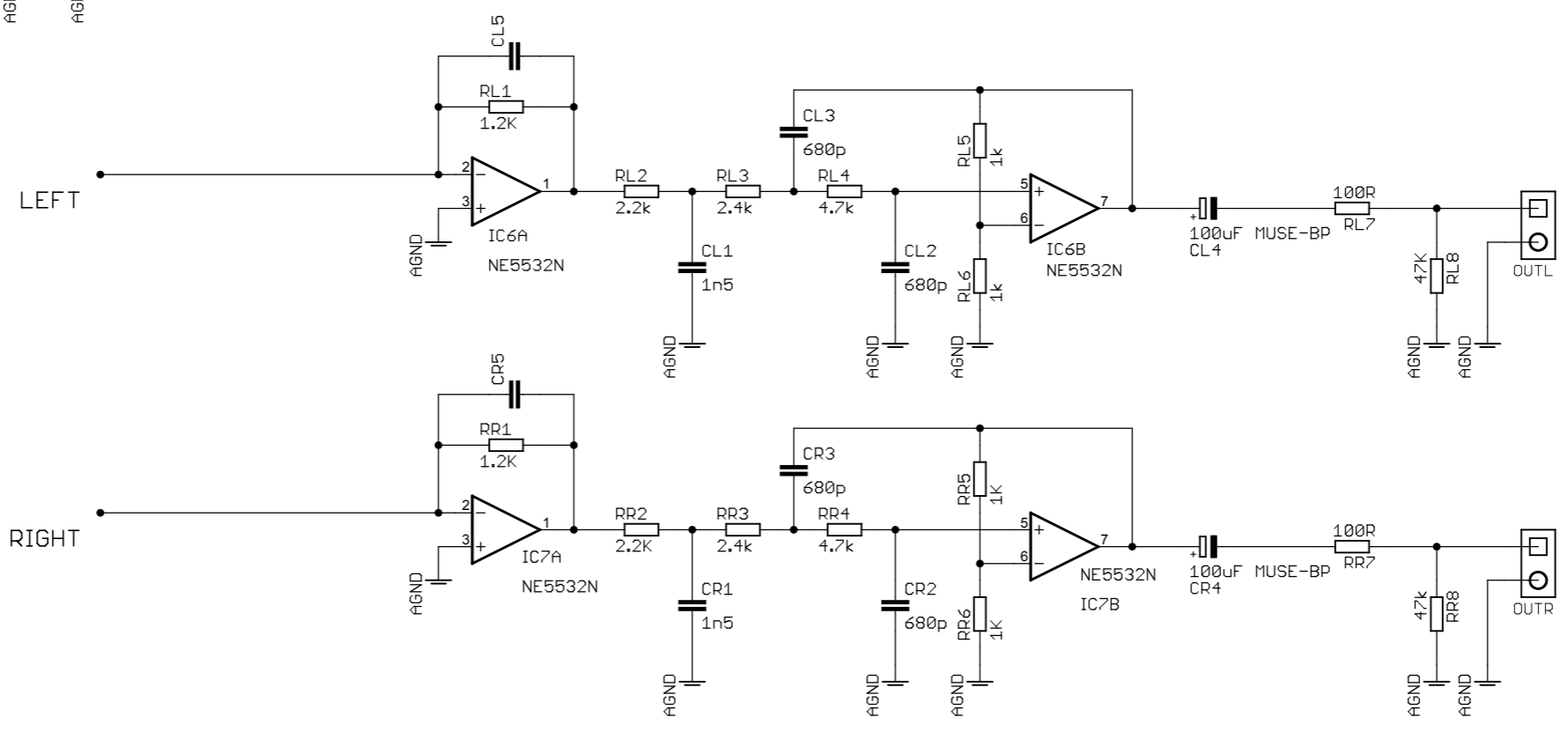
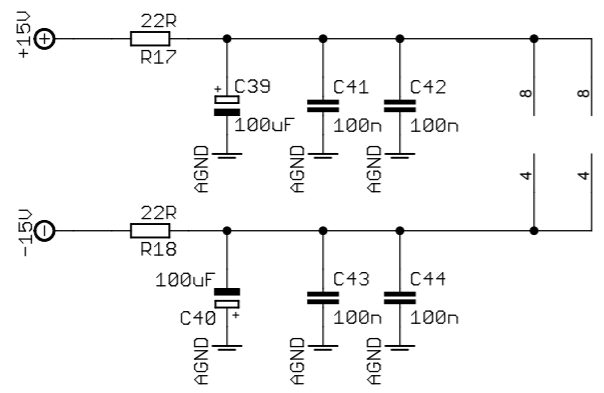
EXTERNAL PC DAC WITH S/PDIF INPUT RECEIVER SECTION	
TITLE: DIR9001_TDA1541A_V5	
Document Number:	DESIGN: U.S.
Date: 19.3.2011	REU: 5.0
Sheet: 1/3	



FROM DIR9001
I2S BUS



EXTERNAL PC DAC WITH S/PDIF INPUT DAC SECTION	
TITLE: DIR9001_TDA1541A_V5	DESIGN: U.S.
Document Number:	REU: 5.0
Date: 19.3.2011	Sheet: 2/3



EXTERNAL PC DAC WITH S/PDIF INPUT ANALOG STAGE	
TITLE: DIR9001_TDA1541A_V5	DESIGN: U.S.
Document Number:	REU: 5.0
Date: 19.3.2011	Sheet: 3/3